

AEROPRAKT INFORMATION BULLETIN

INSPECTION OF THE FRONT PEDALS OF A-20 AND A-26 AIRCRAFT IB A-20-02 / IB A-26-01

MANDATORY

Repeating symbols:

Please, pay attention to the following symbols throughout this document emphasizing particular information.

▲ **WARNING:** Identifies an instruction, which if not followed may cause serious injury or even death.

■ **CAUTION: Denotes an instruction,** which if not followed, may severely damage the front pedals.

◆ **NOTE:** Information useful for better handling.

1) Planning information

1.1) Aircraft affected

All versions of the aircraft Aeroprakt-20 and Aeroprakt-26 beginning №01

1.2) Reason

It has been found out, that the fatigue failure of the cable hinge axle is the reason of the cracks in front pedals.

1.3) Subject

Inspection and replacement of the front pedals of A-20 and A-26.

1.4) Compliance

Replacement of the front pedals is to be carried out on the aircraft after 10 000 landings.

1.5) Approval

The technical content of this Information Bulletin has been approved by Aeroprakt.

1.6) Manpower

Estimated man-hours:

The replacement of the pedals can be performed within an hour.

1.7) Mass data

Change of weight - none

1.8) Other publications affected

None

1.9) Spare parts

Spare parts are sent upon requirement of aircraft owner.

2) Replacement part information

2.1) Replacement part – cost and availability

The price of the stem is 96 USD excluding delivery

2.2) Special tooling / lubricant

Used lubricant is LITIUM GREASE.

3) Accomplishment / Instructions

3.1) Instructions

(see fig. 1)

3.1.1) Replacement of the front pedals

- 1) Unlock the turnbuckle (item 14) and loosen the rudder cable (item 13).
- 2) Unlock and remove the return cable from pedals (item 3).
- 3) Unlock and remove the nut of the rudder cable attachment from the axle (item 2).
- 4) Disconnect the rudder cable.
- 5) Unlock and undo the nut and remove the stud (item 4).
- 6) In case, if it is difficult to remove the stud, remove first the front bracket (item 11) attached with bolts (item 8).
- 7) Remove the front pedals (item 1).
- 8) Installation of the new pedals is carried out in reversed order.

◆ **NOTE:** Lubricate all axles and втулки before re-installing it.

3.1.2) Inspection of the front pedals.

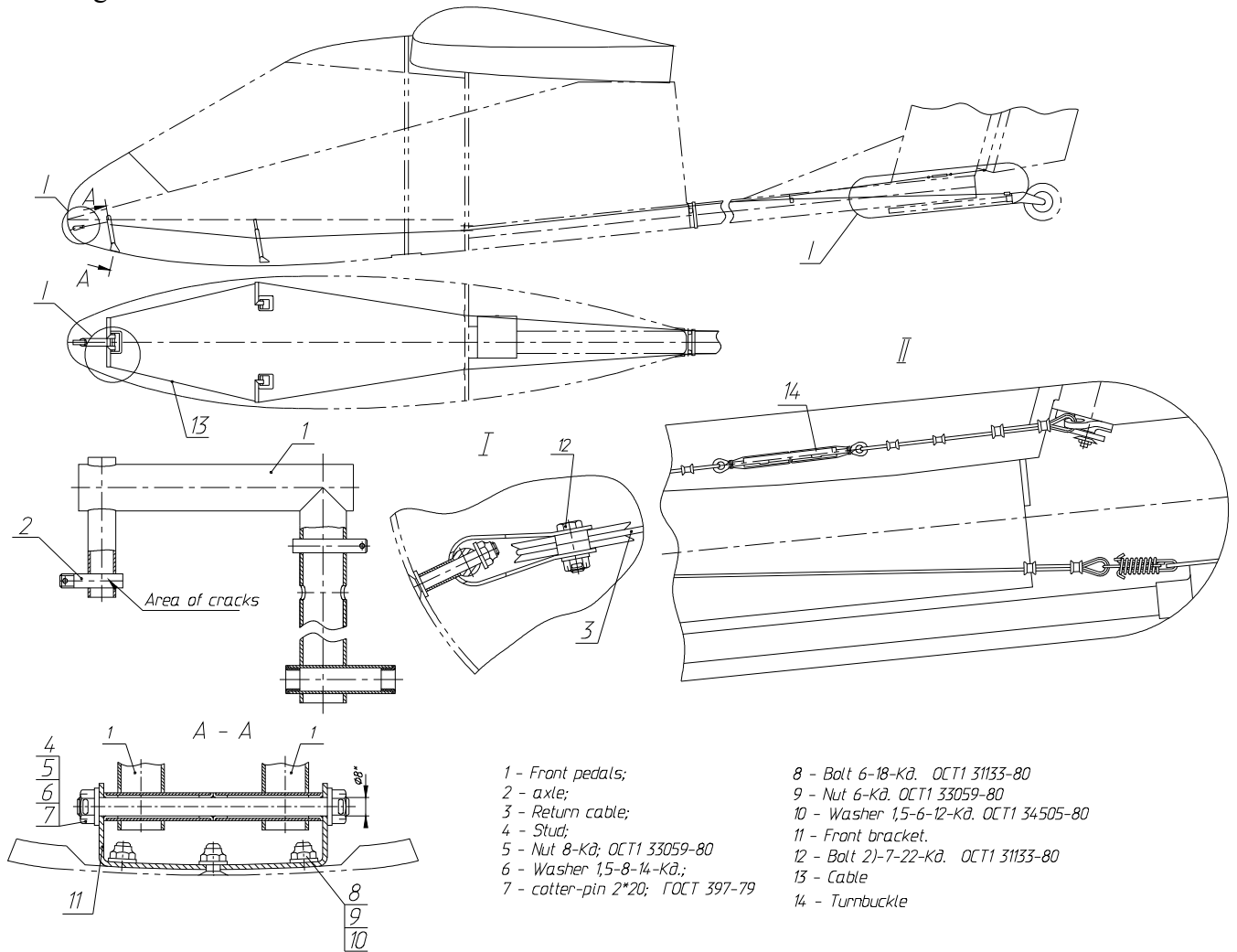
Inspect the front pedals

■ **CAUTION:** In case, if the front pedals are not replaced in time, the hinge axle of the cable may fail. Failure of the hinge axle will cause the loss of the rudder and tail wheel control.

4) Appendix

The following drawing contains additional information:

Fig. 1



- 1 - Front pedals;
- 2 - axle;
- 3 - Return cable;
- 4 - Stud;
- 5 - Nut 8-Kā; OCT1 33059-80
- 6 - Washer 1,5-8-14-Kā;
- 7 - cotter-pin 2*20; ГOCT 397-79

- 8 - Bolt 6-18-Kā. OCT1 31133-80
- 9 - Nut 6-Kā. OCT1 33059-80
- 10 - Washer 1,5-6-12-Kā. OCT1 34505-80
- 11 - Front bracket.
- 12 - Bolt 2)-7-22-Kā. OCT1 31133-80
- 13 - Cable
- 14 - Turnbuckle