

AEROPRAKT SERVICE BULLETIN

№ SB A22LS-21

MODIFICATION OF THE RESCUE SYSTEM ROCKET ATTACHMENT FOR A22LS AIRCRAFT

Repeating symbols:

Please, pay attention to the following symbols throughout this document marking important information.

- ▲ **WARNING:** Identifies an instruction, which if not followed may cause serious injury or even death.
- **CAUTION:** Denotes an instruction, which if not followed, may cause severe damage.
- ◆ **NOTE:** Information useful for better handling.

Release date: 04.01.2021

Effective date: 04.01.2021

Completion date:

Superseded notice: none

Model: A22LS

**Serial number(s) affected: All A22LS aircraft to and including serial No. 378,
excluding serial No. 82, 329, 330, 338, 342, 343, 347,
348, 350, 352-355, 357, 358, 360, 361, 375**

1) Planning information**1.1) Aircraft affected**

All A22LS aircraft to and including serial No. 378, excluding serial No. 82, 329, 330, 338, 342, 343, 347, 348, 350, 352-355, 357, 358, 360, 361, 375.

1.2) Reason

Meeting the requirements of the rescue system manufacturer.

▲ Failure to perform this work will result in incorrect functioning of the rescues system in case of its deployment.

1.3) Subject

Additional attachment bracket of the rescue system rocket housing.

1.4) Compliance

Compliance with this Service Bulletin is mandatory for all affected aircraft for flight safety reasons!

1.5) Approval

The technical content of this Service Bulletin has been approved by Aeroprakt.

1.6) Manpower

Estimated work: 2 man-hours.

1.7) Mass data

Mass change – insignificant.

1.8) Revision of other documents

None.

1.9) Spare parts

Additional attachment bracket of the rescue system rocket housing – 1 pc.

Bolt AN174-5A – 1 pc.

Washer NAS1149F0463P – 1 pc.

Nut MS21044N4 – 1 pc.

Pop-rivet 4-8 – 5 pcs.

Pop-rivet 3-8 – 2 pcs.

2) Spare parts information

The spare parts kit including bracket, bolts, washers, nuts and rivets is free of charge, less delivery.

3) Accomplishment / Instructions

▲ Failure to perform this work will result in injuries for pilots in case of system deployment.

- 3.1) Remove the luggage container before installing the bracket.
- 3.2) Loosen the screw-clamps (1) and rotate the rocket housing (not taking out from the clamps) so, that its attachment plate is behind the housing (Fig 1).

▲ The cable (5) connecting the rocket and the parachute must not be over the rocket (Fig. 1)

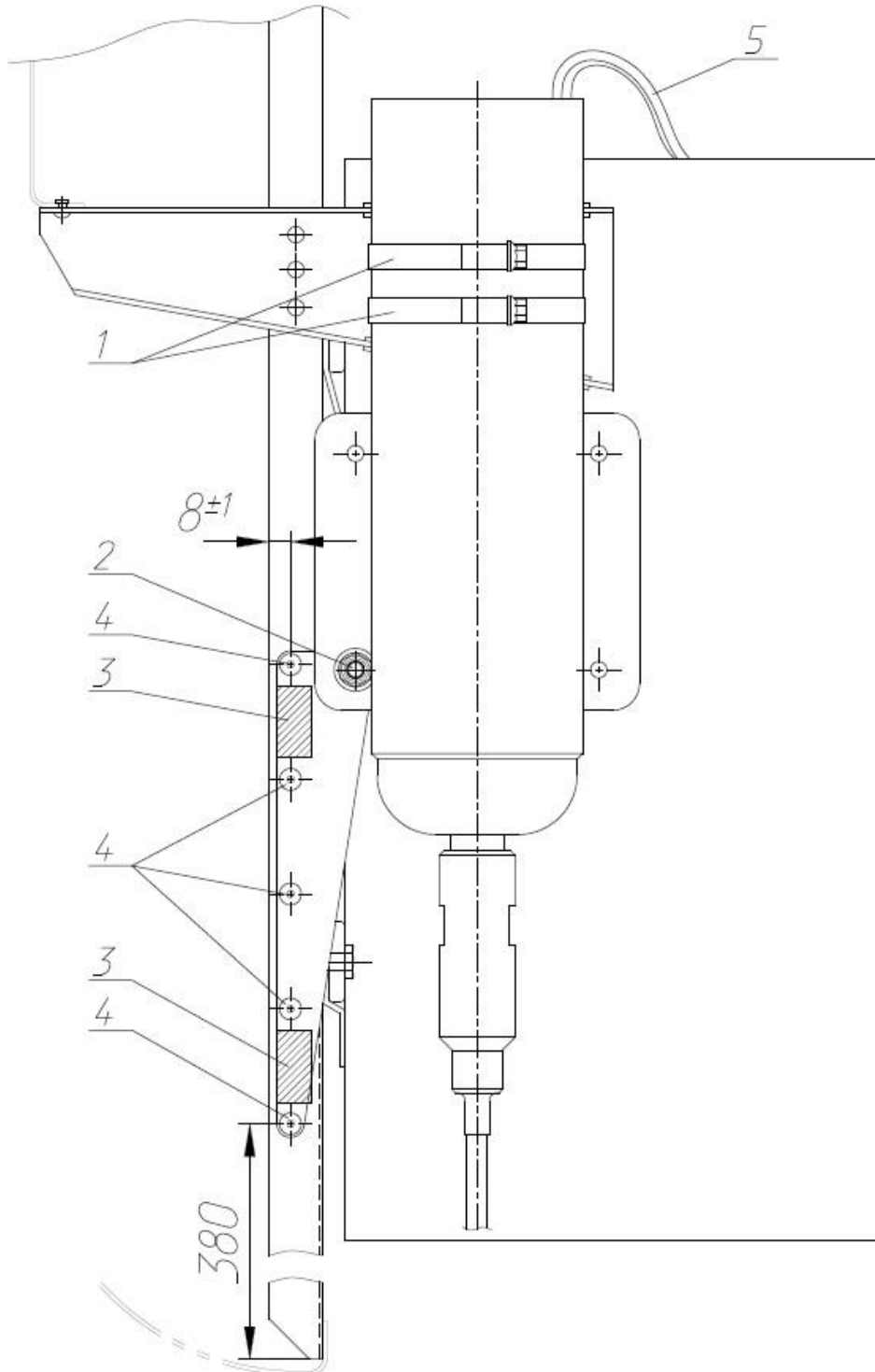
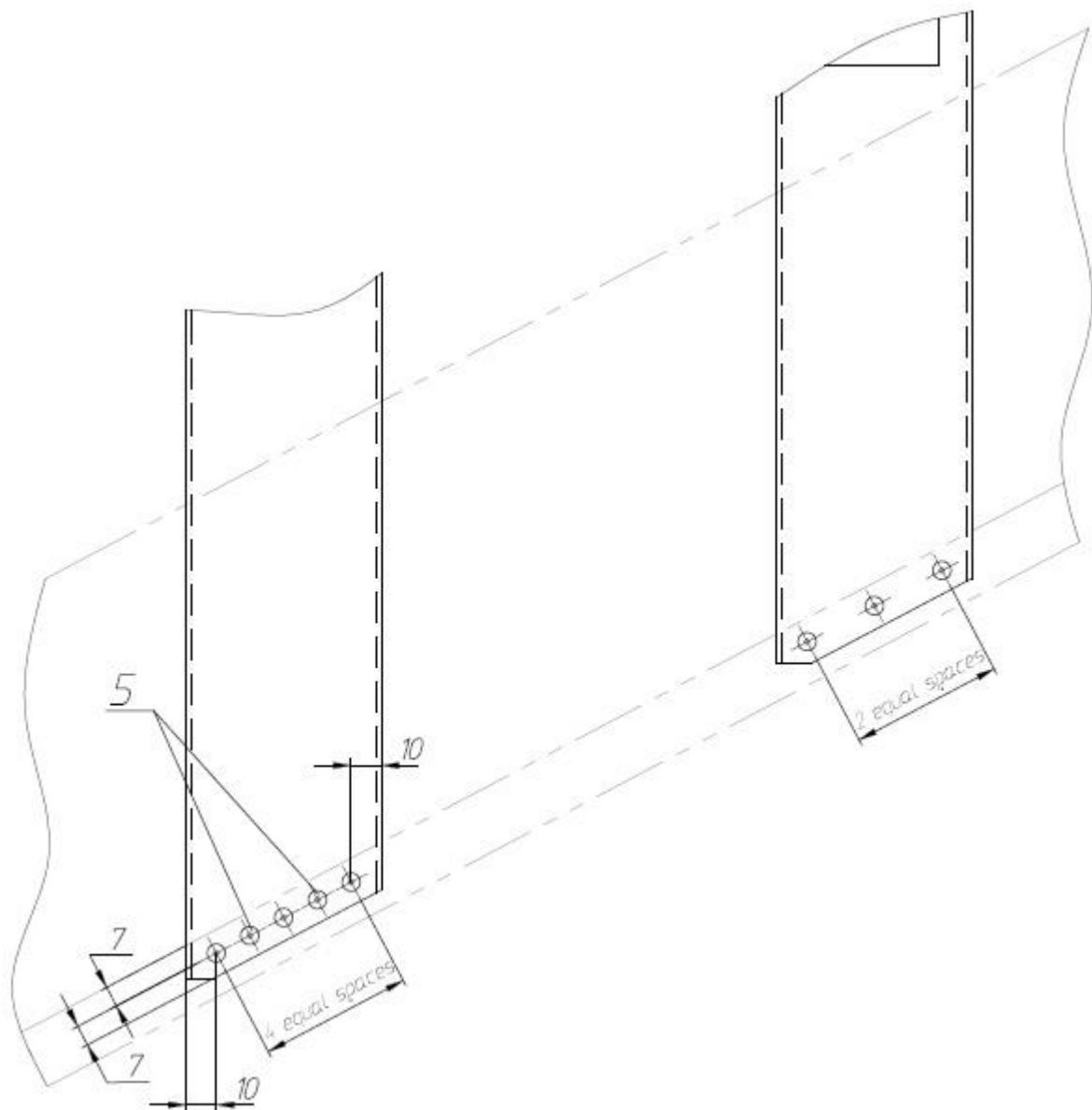


Fig. 1 Front view (opposite to flight direction)

- 3.3) Drill a hole (2, fig.1) with \varnothing 6.4 mm drill bit for AN174-5A bolt.
- 3.4) Attach the bracket to the plate of the rescue system attachment with a bolt and a nut, but do not tighten the nut completely.
- 3.5) Fix (secure) the bracket with clamps to the rescue system post in the hatched areas according to the given dimensions.
- 3.6) Drill holes (4, fig.1) with \varnothing 4.1 mm drill bit and install pop-rivets 4-8.
- 3.7) Remove the clamps.
- 3.8) Tighten the screw-clamps (1 , fig.1) with 2 N·m torque, and tighten the nut (2, fig.1).
- 3.9) Drill holes (5, fig.2) with \varnothing 3.1 mm drill bit and install pop-rivets 3-8.

**Fig. 2**